

2MP 33X 2MP Starlight IR Dome Camera

IPC6252SR-X33U



Key Features

Optics

- 33X Optical Zoom
- Starlight illumination
- Accurate and fast focusing
- Smart IR, up to 200m (656ft) IR distance
- Up to 120dB WDR (Wide Dynamic)
- IR anti-reflection window to increase the infrared transmittance

Compression

- Ultra 265, H.265, H.264, MJPEG
- Triple streams
- Customized OSD

Network

- ONVIF Conformance

Structure

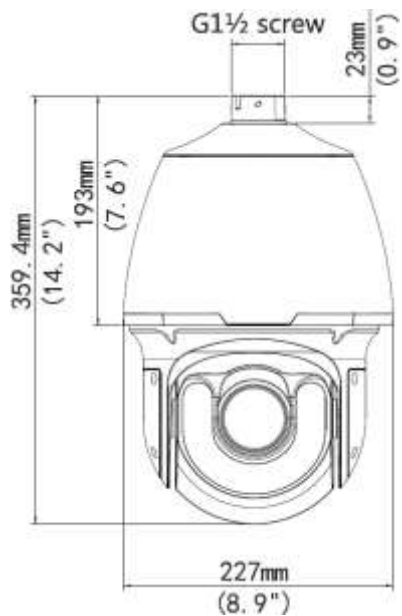
- 15° Elevation Angle
- Innovative snow-removing functionality
- More effective heat dissipation system
- Intelligent temperature control technology
- 6KV surge protection designed for network interface

Specifications

| IPC6252SR-X33U | | | | | | | | | | | | | | | | |
|-------------------------|---|------------|-------------|---------------|---------------|--------------|-----|------|------|----|---|-------|--------|-------|-------|-------|
| Camera | | | | | | | | | | | | | | | | |
| Sensor | 1/2.8", 2.0 megapixel, progressive scan, CMOS | | | | | | | | | | | | | | | |
| Lens | 4.5 ~ 148.5mm, AF automatic focusing and motorized zoom lens | | | | | | | | | | | | | | | |
| Digital Zoom | 16 | | | | | | | | | | | | | | | |
| Optical Zoom | 33 | | | | | | | | | | | | | | | |
| DORI Distance | <table border="1"> <thead> <tr> <th>Lens (mm)</th> <th>Detect (m)</th> <th>Observe (m)</th> <th>Recognize (m)</th> <th>Identify (m)</th> </tr> </thead> <tbody> <tr> <td>4.5</td> <td>69.8</td> <td>27.9</td> <td>14</td> <td>7</td> </tr> <tr> <td>148.5</td> <td>2304.3</td> <td>921.7</td> <td>460.9</td> <td>230.4</td> </tr> </tbody> </table> | Lens (mm) | Detect (m) | Observe (m) | Recognize (m) | Identify (m) | 4.5 | 69.8 | 27.9 | 14 | 7 | 148.5 | 2304.3 | 921.7 | 460.9 | 230.4 |
| | Lens (mm) | Detect (m) | Observe (m) | Recognize (m) | Identify (m) | | | | | | | | | | | |
| | 4.5 | 69.8 | 27.9 | 14 | 7 | | | | | | | | | | | |
| 148.5 | 2304.3 | 921.7 | 460.9 | 230.4 | | | | | | | | | | | | |
| Angle of View (H) | 62.67° ~ 2.82° | | | | | | | | | | | | | | | |
| Angle of View (V) | 38.4° ~ 1.3° | | | | | | | | | | | | | | | |
| Angle of View (O) | 77.1° ~ 3.3° | | | | | | | | | | | | | | | |
| Shutter | Auto/Manual; shutter time: 1~ 1/100000s | | | | | | | | | | | | | | | |
| Minimum Illumination | Colour: 0.001Lux (F1.6,AGC ON) 0Lux with IR | | | | | | | | | | | | | | | |
| Iris | Auto/Manual; F1.6 ~ F5.3 | | | | | | | | | | | | | | | |
| Day/Night | IR-cut filter with auto switch (ICR) | | | | | | | | | | | | | | | |
| Digital noise reduction | 2D/3D DNR | | | | | | | | | | | | | | | |
| S/N | >52dB | | | | | | | | | | | | | | | |
| IR Range | UP to 200m (656ft) | | | | | | | | | | | | | | | |
| Defog | Digital Defog | | | | | | | | | | | | | | | |
| WDR | 120dB | | | | | | | | | | | | | | | |
| Video | | | | | | | | | | | | | | | | |
| Video Compression | Ultra 265, H.265, H.264, MJPEG | | | | | | | | | | | | | | | |
| H.264 code profile | Baseline profile, Main Profile, High Profile | | | | | | | | | | | | | | | |
| Frame Rate | Main Stream: 2MP (1920*1080), Max 60fps; Sub Stream: 2MP (1920*1080), Max 60fps; Third Stream: D1 (720*576), Max 60fps | | | | | | | | | | | | | | | |
| HLC | Supported | | | | | | | | | | | | | | | |
| BLC | Supported | | | | | | | | | | | | | | | |
| EIS | Supported | | | | | | | | | | | | | | | |
| OSD | Up to 8 OSDs | | | | | | | | | | | | | | | |

| | |
|------------------------|--|
| Privacy Mask | Up to 24 areas |
| ROI | Up to 8 areas |
| Motion Detection | Up to 4 areas |
| Smart | |
| General Function | Watermark, IP Address Filtering, Tampering Alarm, Alarm input, Alarm output, Access Policy, ARP Protection, RTSP Authentication, User Authentication |
| Audio | |
| Audio Compression | G.711 |
| Two-way audio | Supported |
| Suppression | Supported |
| Sampling Rate | 8KHZ |
| Storage | |
| Edge Storage | Micro SD, up to 256GB |
| Network Storage | ANR |
| Network | |
| Protocols | IPv4, IGMP, ICMP, ARP, TCP, UDP, DHCP, PPPoE, RTP, RTSP, RTCP, DNS, DDNS, NTP, FTP, UPnP, HTTP, HTTPS, SMTP, 802.1x, SNMP, QoS |
| Compatible Integration | ONVIF (Profile S, Profile G, Profile T), API |
| Pan & Tilt | |
| Pan Range | 360° (endless) |
| Pan Speed | 0.1°/s ~ 240°/s |
| | Preset speed: 300°/s |
| Tilt Range | -15° ~ 90° (auto reverse) |
| Tilt Speed | 0.1° ~ 160°/s |
| | Preset speed: 240°/s |
| Number of Preset | 1024 |
| Patrol | Preset patrol, route patrol, recorded patrol |
| Home Position | Supported |
| Interface | |
| Audio I/O | Audio cable |
| | Input: impedance 35kΩ; amplitude 2V [p-p] |
| | Output: impedance 600Ω; amplitude 2V [p-p] |
| Alarm I/O | 2/1 |
| Serial Port | 1 RS485 |
| Network | 1 RJ45 10M/100M Base-TX Ethernet |
| Video Output | 1 BNC, impedance 75Ω; amplitude 1V [p-p] |
| General | |
| Power | AC 24V (Default) ±25%, DC 24V±25% |
| | Power consumption: 11 ~ 47W |
| Dimensions (Ø x H) | Ø227 x 359.4mm (Ø8.9" x 14.2") |
| Weight | 5.5kg (12.1lb) |
| Working Environment | -40°C ~ 70°C (-40°F ~ 158°F), Humidity: ≤95% RH (non-condensing) |
| Ingress Protection | IP66 |
| Reset Button | Supported |

Dimensions



Zhejiang Uniview Technologies Co., Ltd.

Building No.10, Wanlun Science Park, Jiangling Road 88, Binjiang District, Hangzhou, Zhejiang, China (310051)

Email: overseasbusiness@uniview.com; globalsupport@uniview.com

<http://www.uniview.com>

©2019 Zhejiang Uniview Technologies Co., Ltd. All rights reserved.

*Product specifications and availability are subject to change without notice.